

Proximity Reader MF7

Instruction Sheet



Proximity Reader MF7

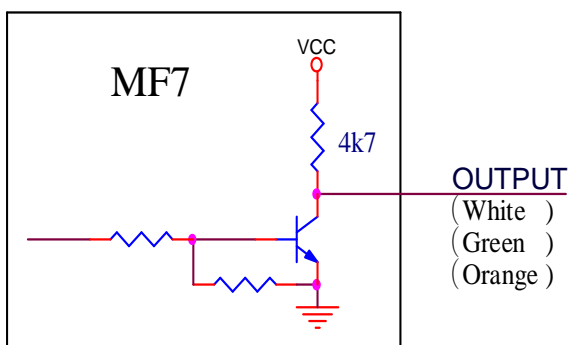
The MF7 is a very high performance proximity reader featuring medium range and small dimensions. The unit will run from any voltage from 5~18 V (DC). The MF7 also features good read range at 5 Volts , making it ideally suited to a wide variety of applications, particularly access control.

Power Requirements	5~18 Volts regulated DC at 150 mA typical with a 12V supply. A linear regulator is recommended .
Interface	Wiegand , Magstripe ,9.6K Baud Serial ASCII (RS232) Or special to customer specifications .
Typical Maximum Read Frequency	Range 2~5 cm at 5~18V with Mifare card (In ideal conditions) 13.56MHz band (47.48dBuA/m (1.2m))
Transponder	Read Only (For Unique Serial Number / Unique Identifier) Read Only (Mifare Ultralight MF0 ICU1) Read Only (Mifare Standard MF1 ICS50) Read Only (Mifare 4k MF1 ICS70) Read Only (Mifare DESFire MF3 ICD40)
Audio/Visual Indication	Internal LED and Buzzer
Dimensions	8.3 x 4.7 x 1.6 cm
Operating Temperature	-10 to 60 Deg C.(-35~+80 For MF7-25)
Interface Cable	90 cm

Output Assignment

Red	Power 5-18 Volts
Black	Power 0 Volt
White	Magstripe clock & Wiegand 1 , with internal 4k7 pull up
Green	RS232 data , Magstripe data & Wiegand 0 , with internal 4k7 Pull up (pull up only for Wiegand and Magstripe)
Orange	Card Present Output with internal 4k7 pull up
Yellow	Program Input
Blue	External Beep. Connect to GND 0 Volts.
Brown	LED (External source Connect to GND 0 Volts)

Data out internal circuit configuration



Output Format

The output format can be customer programmed . The available formats are Wiegand , Magnetic Emulation and Serial ASCII (RS232)

Wiegand

Red Power 5-18V
 Black Ground 0V
 White Data 1
 Green Data 0
 Yellow Connect to White
 Orange No Connection

Magstripe

Red Power 5-18V
 Black Ground 0V
 White Clock (Strobe)
 Green Data
 Orange Card Present
 Yellow Connect to Orange

Serial ASCII (RS232)

Red Power 5-18V
 Black Ground 0V
 Green TX Data
 Yellow No Connection
 White No Connection
 Orange No Connection

Data Structure (Serial ASCII)

Baud Rate : 9600,N,8,1

STX(02 HEX)	DATA(8 or 14 HEX CHARACTERS)	CR	LF	ETX(03 HEX)
--------------------	---------------------------------------	-----------	-----------	--------------------

The start character is factory defined as an ‘STX’ (02 HEX). This is followed by 8 Hex characters (for Mifare Standard MF1 ICS50 · Mifare 4k MF1 ICS70)or14 Hex characters(for Mifare Ultralight MF0 ICU1 · Mifare DESFire MF3 ICD40)of data . The CR\LF characters serve to bring the received screen text back to the left hand side and on the line below after the data bytes have been sent. The ‘ETX’ (03 HEX) character denotes the end of the current transmission.

Data Structure (Magstripe Emulation , ABA Track 2)

Speed : Simulated to 56 IPS (Inch per Second)

10 LEADING ZEROS	SS	DATA (10 or18 DIGITS)	ES	LRC	10 TRAILING ZEROS
-------------------------	-----------	------------------------------	-----------	------------	--------------------------

The 10 leading zeros prepare the receiving unit to accept the data. The data is 10 digits long(for Mifare Standard MF1 ICS50 · Mifare 4k MF1 ICS70) or 18 digits long (for Mifare Ultralight MF0 ICU1 · Mifare DESFire MF3 ICD40). SS is the Start Sentinel consisting of 11010.ES is the End Sentinel consisting of 1111.LRC is the Longitudinal Redundancy Check character. Lastly there are 10 trailing zeros. Magstripe 8 digits and 6 digits are available for special request .

The hexadecimal data from the card is first converted to a denary string before transmission. For example, a card containing the hexadecimal data (F77A9FF2) , will be converted to denary and sent as denary 4152008690(10 digits)

The calculation is performed as follows.

$$(2 * 16^0 + 15 * 16^1 + 15 * 16^2 + 9 * 16^3 + 10 * 16^4 + 7 * 16^5 + 7 * 16^6 + 15 * 16^7) = 4152008690$$

Data Structure (Wiegand Format-26 Bit)

0	1	2	3	4	5	6	7	8	9	10	11	12	13	14	15	16	17	18	19	20	21	22	23	24	25
P	S	S	S	S	S	S	S	S	C	C	C	C	C	C	C	C	C	C	C	C	C	C	C	C	P
P	E	E	E	E	E	E	E	E	E	E	E	E													
													O	O	O	O	O	O	O	O	O	O	O	O	P
SUMMED FOR EVEN PARITY (E)												SUMMED FOR ODD PARITY (O)													

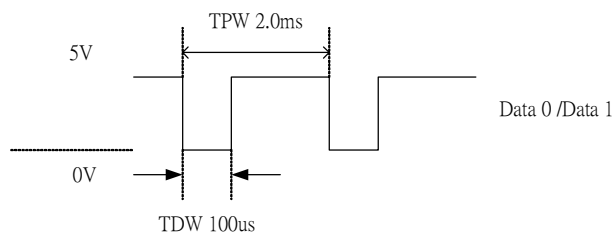
Note :

- P Parity (Even or Odd) Start Bit and Stop Bit
- S Site Bits from Card or Reader
- C Card Data
- SYRDSSW1-W26 Site bits from Card (24 bits Card Data)
- MSB Normal 01
- LSB Normal 24

Wiegand Data Timing Specification

Pulse Interval (TPW)=2.0mS +/- 3%

Pulse Width (TDW)=100uS +/- 3%



PROGRAMMING THE OUTPUT FORMAT

The programming input may be connected in the following ways to choose between the available output formats.

- 1) Serial ASCII Leave Program Input Open C IRCUIT
- 2) Wiegand Connect Program Input to Clock Output
- 3) Clock Data** Connect Program Input to Data Output
- 4) Magnetic Emulation Connect Program Input to Card Present

** (To special order only – Minimum order 1K)

LIMITED WARRANTY

Giga-Tms warrants that the products sold pursuant to this Agreement will perform in accordance with Giga-Tms's published specifications. This warranty shall be provided only for a period of **one year** from the date of the shipment of the product from Giga-Tms (the "Warranty Period"). This warranty shall apply only to the "Buyer" (the original purchaser, unless that entity resells the product as authorized by Giga-Tms, in which event this warranty shall apply only to the first re-purchaser).

During the Warranty Period, should this product fail to conform to Giga-Tms's specifications, Giga-Tms will, at its option, repair or replace this product at no additional charge except as set forth below. Repair parts and replacement products will be furnished on an exchange basis and will be either reconditioned or new. All replaced parts and products become the property of Giga-Tms. This limited warranty does not include service to repair damage to the product resulting from accident, disaster, unreasonable use, misuse, abuse, negligence, or modification of the product not authorized by Giga-Tms. Giga-Tms reserves the right to examine the alleged defective goods to determine whether the warranty is applicable. Without limiting the generality of the foregoing, Giga-Tms specifically disclaims any liability or warranty for goods resold in other than Giga-Tms's original packages, and for goods modified, altered, or treated without authorization by Giga-Tms.

Service may be obtained by delivering the product during the warranty period to Giga-Tms (8F No. 31 Lane 169, Kang Ning Street, Hsi Chih Dist New Taipei City, Taiwan). If this product is delivered by mail or by an equivalent shipping carrier, the customer agrees to insure the product or assume the risk of loss or damage in transit, to prepay shipping charges to the warranty service location, and to use the original shipping container or equivalent. Giga-Tms will return the product, prepaid, via a three (3) day shipping service. A Return Material Authorization ("RMA") number must accompany all returns. Buyers may obtain an RMA number by contacting with sales@gigatms.com.tw

EACH BUYER UNDERSTANDS THAT THIS GIGA-TMS PRODUCT IS OFFERED AS IS. GIGA-TMS MAKES NO OTHER WARRANTY, EXPRESS OR IMPLIED, AND GIGA-TMS DISCLAIMS ANY WARRANTY OF ANY OTHER KIND, INCLUDING ANY WARRANTY OF MERCHANTABILITY OR FITNESS FOR A PARTICULAR PURPOSE.

IF THIS PRODUCT DOES NOT CONFORM TO GIGA-TMS'S SPECIFICATIONS, THE SOLE REMEDY SHALL BE REPAIR OR REPLACEMENT AS PROVIDED ABOVE. GIGA-TMS'S LIABILITY, IF ANY, SHALL IN NO EVENT EXCEED THE TOTAL AMOUNT PAID TO GIGA-TMS UNDER THIS AGREEMENT. IN NO EVENT WILL GIGA-TMS BE LIABLE TO THE BUYER FOR ANY DAMAGES, INCLUDING ANY LOST PROFITS, LOST SAVINGS, OR OTHER INCIDENTAL OR CONSEQUENTIAL DAMAGES ARISING OUT OF THE USE OF, OR INABILITY TO USE, SUCH PRODUCT, EVEN IF GIGA-TMS HAS BEEN ADVISED OF THE POSSIBILITY OF SUCH DAMAGES, OR FOR ANY CLAIM BY ANY OTHER PARTY.

LIMITATION ON LIABILITY

EXCEPT AS PROVIDED IN THE SECTIONS RELATING TO GIGA-TMS'S LIMITED WARRANTY, GIGA-TMS'S LIABILITY UNDER THIS AGREEMENT IS LIMITED TO THE CONTRACT PRICE OF THIS PRODUCT.

GIGA-TMS MAKES NO OTHER WARRANTIES WITH RESPECT TO THE PRODUCT, EXPRESSED OR IMPLIED, EXCEPT AS MAY BE STATED IN THIS AGREEMENT, AND GIGA-TMS DISCLAIMS ANY IMPLIED WARRANTY, INCLUDING WITHOUT LIMITATION ANY IMPLIED WARRANTY OF MERCHANTABILITY OR FITNESS FOR A PARTICULAR PURPOSE.

GIGA-TMS SHALL NOT BE LIABLE FOR CONTINGENT, INCIDENTAL, OR CONSEQUENTIAL DAMAGES TO PERSONS OR PROPERTY. GIGA-TMS FURTHER LIMITS ITS LIABILITY OF ANY KIND WITH RESPECT TO THE PRODUCT, INCLUDING ANY NEGLIGENCE ON ITS PART, TO THE CONTRACT PRICE FOR THE GOODS.

GIGA-TMS'S SOLE LIABILITY AND BUYER'S EXCLUSIVE REMEDIES ARE STATED IN THIS SECTION AND IN THE SECTION RELATING TO GIGA-TMS'S LIMITED WARRANTY.

Contact Us

GIGA-TMS INC.

ADDRESS:

8F, NO.31, Lane 169, Kang-Ning Street,
Hsi-Chih Dist, New Taipei City,
Taiwan

TEL:

886-2-26954214

FAX:

886-2-26954213

WEBSITE:

www.gigatms.com.tw

EMAIL:

Sales & Product Inquiries - promag@gigatms.com.tw
Product & Technical Support - support@gigatms.com.tw