

# Proximity Reader MF7-GT

## Instruction Sheet



# Proximity Reader MF7-GT

The MF7-GT is a very high performance proximity reader featuring medium range and small dimensions. The unit will run from any voltage from 5-18 V (DC). The MF7-GT also features good read range at 5 Volts , making it ideally suited to a wide variety of applications, particularly access control.

|                                |   |
|--------------------------------|---|
| <b>Power Requirements</b>      | 5~18 Volts regulated DC at 150 mA typical with a 12V supply.<br>A linear regulator is recommended . |
| <b>Interface</b>               | 9.6K Baud Serial ASCII (RS232)  |
| <b>Typical Maximum Read</b>    | Range 2~5 cm at 5~18V with Mifare card (In ideal conditions)  |
| <b>Frequency</b>               | 13.56MHz band (47.48dBuA/m (1.2m))  |
| <b>Transponder</b>             | Read Only (For Unique Serial Number / Unique Identifier)  |
| <b>Audio/Visual Indication</b> | Internal LED and Buzzer   |
| <b>Dimensions</b>              | 8.3 x 4.7 x 1.6 cm  |
| <b>Operating Temperature</b>   | -10 to 60 Deg C.  |
| <b>Interface Cable</b>         | 700 cm  |

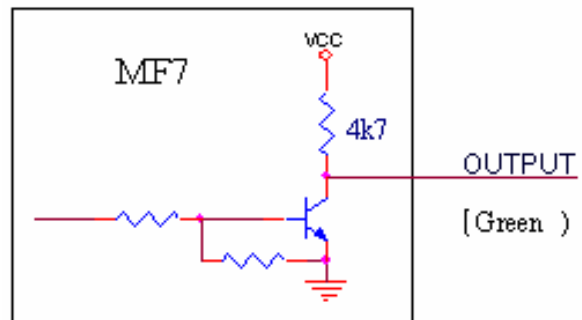
## RJ45 Output Assignment

|       |            |                     |
|-------|------------|---------------------|
| Red   | Power      | 5-18 Volts          |
| Black | Power      | 0 Volt              |
| Green | RS232 data | , with internal 4k7 |

## Serial ASCII (RS232)Output Format

|       |         |       |
|-------|---------|-------|
| Red   | Power   | 5-18V |
| Black | Ground  | 0V    |
| Green | TX Data |       |

## Data out internal circuit configuration



## Data Structure (Serial ASCII)

Baud Rate : 9600,N,8,1

|                    |                                 |           |           |                    |
|--------------------|---------------------------------|-----------|-----------|--------------------|
| <b>STX(02 HEX)</b> | <b>DATA( 8 HEX CHARACTERS )</b> | <b>CR</b> | <b>LF</b> | <b>ETX(03 HEX)</b> |
|--------------------|---------------------------------|-----------|-----------|--------------------|

The start character is factory defined as an 'STX' (02 HEX). This is followed by 8 Hex characters of data . The CR\LF characters serve to bring the received screen text back to the left hand side and on the line below after the data bytes have been sent. The 'ETX' (03 HEX) character denotes the end of the current transmission.

## LIMITED WARRANTY

Giga-Tms warrants that the products sold pursuant to this Agreement will perform in accordance with Giga-Tms's published specifications. This warranty shall be provided only for a period of **one year** from the date of the shipment of the product from Giga-Tms (the "Warranty Period"). This warranty shall apply only to the "Buyer" (the original purchaser, unless that entity resells the product as authorized by Giga-Tms, in which event this warranty shall apply only to the first re-purchaser).

During the Warranty Period, should this product fail to conform to Giga-Tms's specifications, Giga-Tms will, at its option, repair or replace this product at no additional charge except as set forth below. Repair parts and replacement products will be furnished on an exchange basis and will be either reconditioned or new. All replaced parts and products become the property of Giga-Tms. This limited warranty does not include service to repair damage to the product resulting from accident, disaster, unreasonable use, misuse, abuse, negligence, or modification of the product not authorized by Giga-Tms. Giga-Tms reserves the right to examine the alleged defective goods to determine whether the warranty is applicable. Without limiting the generality of the foregoing, Giga-Tms specifically disclaims any liability or warranty for goods resold in other than Giga-Tms's original packages, and for goods modified, altered, or treated without authorization by Giga-Tms.

Service may be obtained by delivering the product during the warranty period to Giga-Tms (8F No. 31 Lane 169, Kang Ning Street, Hsi Chih Dist New Taipei City, Taiwan). If this product is delivered by mail or by an equivalent shipping carrier, the customer agrees to insure the product or assume the risk of loss or damage in transit, to prepay shipping charges to the warranty service location, and to use the original shipping container or equivalent. Giga-Tms will return the product, prepaid, via a three (3) day shipping service. A Return Material Authorization ("RMA") number must accompany all returns. Buyers may obtain an RMA number by contacting with [sales@gigatms.com.tw](mailto:sales@gigatms.com.tw)

**EACH BUYER UNDERSTANDS THAT THIS GIGA-TMS PRODUCT IS OFFERED AS IS. GIGA-TMS MAKES NO OTHER WARRANTY, EXPRESS OR IMPLIED, AND GIGA-TMS DISCLAIMS ANY WARRANTY OF ANY OTHER KIND, INCLUDING ANY WARRANTY OF MERCHANTABILITY OR FITNESS FOR A PARTICULAR PURPOSE.**

IF THIS PRODUCT DOES NOT CONFORM TO GIGA-TMS'S SPECIFICATIONS, THE SOLE REMEDY SHALL BE REPAIR OR REPLACEMENT AS PROVIDED ABOVE. GIGA-TMS'S LIABILITY, IF ANY, SHALL IN NO EVENT EXCEED THE TOTAL AMOUNT PAID TO GIGA-TMS UNDER THIS AGREEMENT. IN NO EVENT WILL GIGA-TMS BE LIABLE TO THE BUYER FOR ANY DAMAGES, INCLUDING ANY LOST PROFITS, LOST SAVINGS, OR OTHER INCIDENTAL OR CONSEQUENTIAL DAMAGES ARISING OUT OF THE USE OF, OR INABILITY TO USE, SUCH PRODUCT, EVEN IF GIGA-TMS HAS BEEN ADVISED OF THE POSSIBILITY OF SUCH DAMAGES, OR FOR ANY CLAIM BY ANY OTHER PARTY.

**LIMITATION ON LIABILITY**

EXCEPT AS PROVIDED IN THE SECTIONS RELATING TO GIGA-TMS'S LIMITED WARRANTY, GIGA-TMS'S LIABILITY UNDER THIS AGREEMENT IS LIMITED TO THE CONTRACT PRICE OF THIS PRODUCT.

GIGA-TMS MAKES NO OTHER WARRANTIES WITH RESPECT TO THE PRODUCT, EXPRESSED OR IMPLIED, EXCEPT AS MAY BE STATED IN THIS AGREEMENT, AND GIGA-TMS DISCLAIMS ANY IMPLIED WARRANTY, INCLUDING WITHOUT LIMITATION ANY IMPLIED WARRANTY OF MERCHANTABILITY OR FITNESS FOR A PARTICULAR PURPOSE.

GIGA-TMS SHALL NOT BE LIABLE FOR CONTINGENT, INCIDENTAL, OR CONSEQUENTIAL DAMAGES TO PERSONS OR PROPERTY. GIGA-TMS FURTHER LIMITS ITS LIABILITY OF ANY KIND WITH RESPECT TO THE PRODUCT, INCLUDING ANY NEGLIGENCE ON ITS PART, TO THE CONTRACT PRICE FOR THE GOODS.

GIGA-TMS'S SOLE LIABILITY AND BUYER'S EXCLUSIVE REMEDIES ARE STATED IN THIS SECTION AND IN THE SECTION RELATING TO GIGA-TMS'S LIMITED WARRANTY.

# Contact Us

## **GIGA-TMS INC.**

### **ADDRESS:**

8F, NO.31, Lane 169, Kang-Ning Street,  
Hsi-Chih Dist, New Taipei City,  
Taiwan

### **TEL:**

886-2-26954214

### **FAX:**

886-2-26954213

### **WEBSITE:**

[www.gigatms.com.tw](http://www.gigatms.com.tw)

### **EMAIL:**

Sales & Product Inquiries - [promag@gigatms.com.tw](mailto:promag@gigatms.com.tw)  
Product & Technical Support - [support@gigatms.com.tw](mailto:support@gigatms.com.tw)