

UR220-30 13.56MHz RFID Reader

RS232 ,Wiegand and ABA TK2 OUTPUT with Remote I/O

INTRODUCTION

The UR220 brings the concept of " Your Reader" which is a stylish, reliable proximity RFID reader with piano finish housing which really shows seamless integration to an intelligent building. For those high end projects, UR220 fulfils its requirement in both excellent performance and flexible appearance, such as changeable housing with customized logo, LED colors or even the buzzer sound which are all configurable to meet wide range of applications in Access control area or Home automation area. With waterproof design, it also serves as a great outdoor reader in all environment.



UR220-30



UR225-30

FEATURES

- Mifare Card 13.56MHz Read only
- Pre-programmable 3 in 1 interface outputs according to ABA TK2, RS232(UART) or Wiegand characteristics.
- Weather resistant
- Available installed on metal surface
- Reading distance: up to 2~5 cm
- New stylish housing to match modern construction for customer design
- 2ch Digital output can direct to drive Door Lock and Alarm .
- 2ch Digital input for Door Sensor and Door Open Switch with optical coupler to improve noise immunity

SPECIFICATIONS

OPERATING

Transmit Frequency	13.56MHz standard
Transponder	ISO14443A Card Read Only
Reading distance	2~5 cm with Mifare 1K/4K card.
Interface	Wiegand, MSR ABA Track2 or RS232

ELECTRICAL

Power Input	7.5 to 12 VDC. Linear supply recommended.
Current Requirements	90 mA @12VDC
Digital Output	Strike Max. Voltage : DC 50 VDC Strike Max. Current : 4.0A (Drain 2.0A Current-Continuous) Strike Time : 3 - 254 seconds (Toggle Mode) Strike Mode : Toggle/Latch (Open Drain)
Digital Input	Optical Coupler isolation Input Voltage : DC 7.5~12 VDC

MECHANICAL

Dimensions	Length : 100 mm / Width : 32 mm / Height : 16.5 mm for UR220-30 Length : 87 mm / Width : 32 mm / Height : 16.5 mm for UR225-30
Weight	50 gm (Without Cable)
Cable Length	15 cm +/- 1cm

ENVIRONMENTAL

Temperature	Operating : 0 °C to 55 °C Storage : -10 °C to 65 °C
Humidity	Operating : 10 % to 90 % noncondensing Storage : Up to 100% noncondensing

LIMITED WARRANTY

Giga-Tms warrants that the products sold pursuant to this Agreement will perform in accordance with Giga-Tms's published specifications. This warranty shall be provided only for a period of **one year** from the date of the shipment of the product from Giga-Tms (the "Warranty Period"). This warranty shall apply only to the "Buyer" (the original purchaser, unless that entity resells the product as authorized by Giga-Tms, in which event this warranty shall apply only to the first re-purchaser).

During the Warranty Period, should this product fail to conform to Giga-Tms's specifications, Giga-Tms will, at its option, repair or replace this product at no additional charge except as set forth below. Repair parts and replacement products will be furnished on an exchange basis and will be either reconditioned or new. All replaced parts and products become the property of Giga-Tms. This limited warranty does not include service to repair damage to the product resulting from accident, disaster, unreasonable use, misuse, abuse, negligence, or modification of the product not authorized by Giga-Tms. Giga-Tms reserves the right to examine the alleged defective goods to determine whether the warranty is applicable.

Without limiting the generality of the foregoing, Giga-Tms specifically disclaims any liability or warranty for goods resold in other than Giga-Tms's original packages, and for goods modified, altered, or treated without authorization by Giga-Tms.

Service may be obtained by delivering the product during the warranty period to Giga-Tms (8F No. 31 Lane 169, Kang Ning Street, Hsi Chih Dist New Taipei City, Taiwan). If this product is delivered by mail or by an equivalent shipping carrier, the customer agrees to insure the product or assume the risk of loss or damage in transit, to prepay shipping charges to the warranty service location, and to use the original shipping container or equivalent. Giga-Tms will return the product, prepaid, via a three (3) day shipping service. A Return Material Authorization ("RMA") number must accompany all returns. Buyers may obtain an RMA number by contacting with sales@gigatms.com.tw

EACH BUYER UNDERSTANDS THAT THIS GIGA-TMS PRODUCT IS OFFERED AS IS. GIGA-TMS MAKES NO OTHER WARRANTY, EXPRESS OR IMPLIED, AND GIGA-TMS DISCLAIMS ANY WARRANTY OF ANY OTHER KIND, INCLUDING ANY WARRANTY OF MERCHANTABILITY OR FITNESS FOR A PARTICULAR PURPOSE.

IF THIS PRODUCT DOES NOT CONFORM TO GIGA-TMS'S SPECIFICATIONS, THE SOLE REMEDY SHALL BE REPAIR OR REPLACEMENT AS PROVIDED ABOVE. GIGA-TMS'S LIABILITY, IF ANY, SHALL IN NO EVENT EXCEED THE TOTAL AMOUNT PAID TO GIGA-TMS UNDER THIS AGREEMENT. IN NO EVENT WILL GIGA-TMS BE LIABLE TO THE BUYER FOR ANY DAMAGES, INCLUDING ANY LOST PROFITS, LOST SAVINGS, OR OTHER INCIDENTAL OR CONSEQUENTIAL DAMAGES ARISING OUT OF THE USE OF, OR INABILITY TO USE, SUCH PRODUCT, EVEN IF GIGA-TMS HAS BEEN ADVISED OF THE POSSIBILITY OF SUCH DAMAGES, OR FOR ANY CLAIM BY ANY OTHER PARTY.

LIMITATION ON LIABILITY

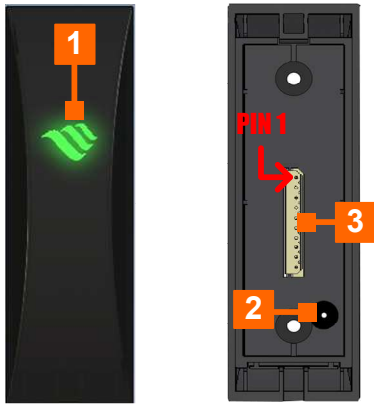
EXCEPT AS PROVIDED IN THE SECTIONS RELATING TO GIGA-TMS'S LIMITED WARRANTY, GIGA-TMS'S LIABILITY UNDER THIS AGREEMENT IS LIMITED TO THE CONTRACT PRICE OF THIS PRODUCT.

GIGA-TMS MAKES NO OTHER WARRANTIES WITH RESPECT TO THE PRODUCT, EXPRESSED OR IMPLIED, EXCEPT AS MAY BE STATED IN THIS AGREEMENT, AND GIGA-TMS DISCLAIMS ANY IMPLIED WARRANTY, INCLUDING WITHOUT LIMITATION ANY IMPLIED WARRANTY OF MERCHANTABILITY OR FITNESS FOR A PARTICULAR PURPOSE.

GIGA-TMS SHALL NOT BE LIABLE FOR CONTINGENT, INCIDENTAL, OR CONSEQUENTIAL DAMAGES TO PERSONS OR PROPERTY. GIGA-TMS FURTHER LIMITS ITS LIABILITY OF ANY KIND WITH RESPECT TO THE PRODUCT, INCLUDING ANY NEGLIGENCE ON ITS PART, TO THE CONTRACT PRICE FOR THE GOODS.

GIGA-TMS'S SOLE LIABILITY AND BUYER'S EXCLUSIVE REMEDIES ARE STATED IN THIS SECTION AND IN THE SECTION RELATING TO GIGA-TMS'S LIMITED WARRANTY.

■ TERMINAL / INDICATOR DESCRIPTIONS



1 LED Indicator

Green	Red	Blue	Description
Off	Off	On	Standby
Off	On	Off	ISP Mode
Other			Software Control

2 Sound Indicator

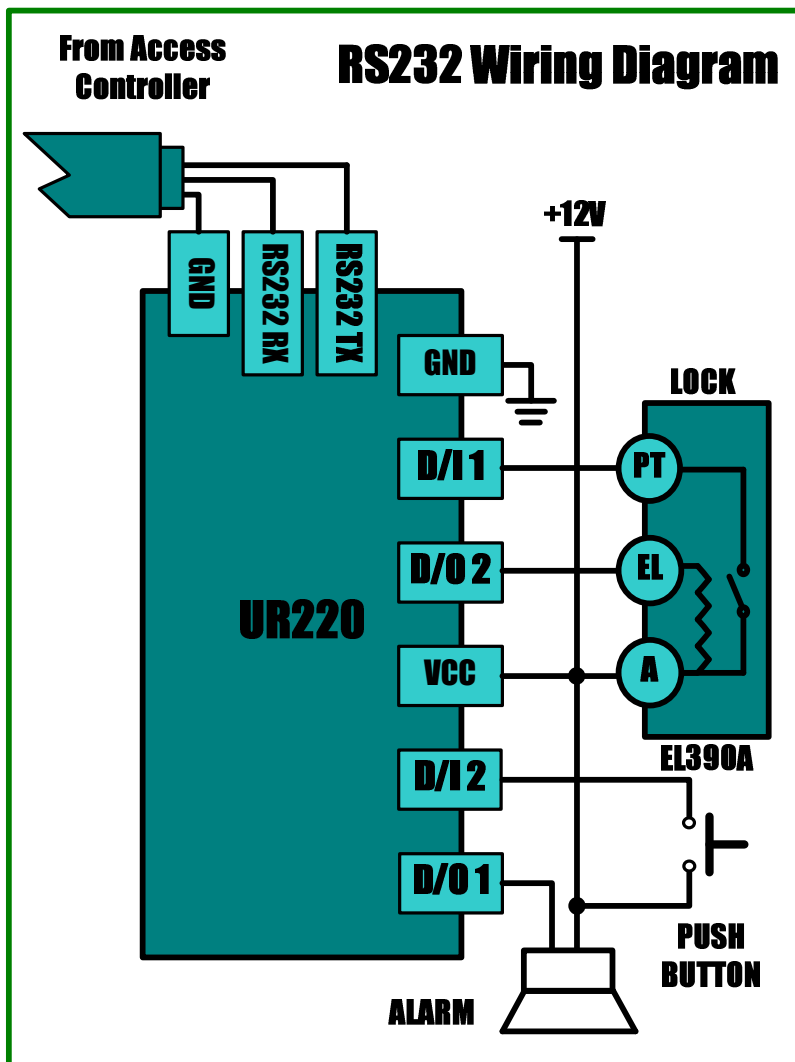
Buzzer	Description
	Software Control

3 9 Pin Terminal

Pin	Color	Signal	In/Out	Description
1	Red	VCC	P	Power 7.5-12 Volts
2	Black	GND	P	Power Ground
3	Gray	D/O 1	O	Digital output 1 (open drain)
4	Blue	D/O 2	O	Digital output 2 (open drain)
5	Green	TX	I/O	RS232 TX (transmit), Magstripe Data & Wiegand Data 0
6	White	RX	I/O	RS232 RX (receive), Magstripe Clock & Wiegand Data 1
7	Orange	CP	I/O	Card Present Output
8	Brown	D/I 1	I	Digital input 1 (active high)
9	Purple	D/I 2	I	Digital input 2 (active high)
10	Yellow	SEL	I/O	Program In/out

Pin5,6,7 output with internal 2K pull up

■ CONNECTION



Data Structure for RS232

Host to UR220 (RS232 only)

STX "J" "n" CR

Baud Rate : 19200,N,8,1

"n"	Description
O	Green LED On ,two short beeping in bass sound
X	Red LED On ,two short beeping in bass sound.
5	Treble Single Beep
6	Treble Triple Beep
B	D/O 1 On
C	D/O 1 Off
D	D/O 2 On
E	D/O 2 Off
F	* D/O 1 Momentarily On
G	* D/O 2 Momentarily On

* Momentarily Time default 5 seconds.

* This Value is changed by the URKit

STX : 0x02

CR : 0x0D

[Ex.] D/O 1 On :

Host
STX "J" "B" CR

Device
STX "A" CR

■ INTERFACE SELECT

The output format can be customer programmed . The available formats are Wiegand , Magnetic Emulation and Serial ASCII (RS232)

PIN		Wiegand	Magstripe	Serial ASCII (RS232)
1	Red	Power 7.5-12V		
2	Black	Ground 0V		
6	White	Data 1	Clock (Strobe)	No Connection
5	Green	Data 0	Data	TX Data
7	Orange	No Connection	Card Present	No Connection
10	*Yellow	Connect to White	Connect to Orange	No Connection

* It will enter ISP mode for Update Firmware when yellow connect to ground before power on.

OUTPUT FORMAT

Data Structure (Serial ASCII)

Baud Rate : 19200,N,8,1

STX(02 HEX)	DATA(8 HEX CHARACTERS)	CR	LF	ETX(03 HEX)
-------------	--------------------------	----	----	-------------

The start character is factory defined as an 'STX' (02 HEX). This is followed by 8 Hex characters of data . The CR\LF characters serve to bring the received screen text back to the left hand side and on the line below after the data bytes have been sent. The 'ETX' (03 HEX) character denotes the end of the current transmission.

Data Structure (Magstripe Emulation , ABA Track 2)

Speed : Simulated to 40 IPS (Inch per Second)

10 LEADING ZEROS	SS	DATA (10 DIGITS)	ES	LRC	10 TRAILING ZEROS
------------------	----	------------------	----	-----	-------------------

The 10 leading zeros prepare the receiving unit to accept the data. The data is 10 digits long. SS is the Start Sentinel consisting of 11010.ES is the End Sentinel consisting of 11111.LRC is the Longitudinal Redundancy Check character. Lastly there are 10 trailing zeros. Magstripe 8 digits and 6 digits are available for special request .

The hexadecimal data from the card is first converted to a denary string before transmission. For example, a card containing the hexadecimal data (60ABE67A) , will be converted to denary and sent as denary 1621878394(10 digits)

The calculation is performed as follows.

$$(10 * 16^0 + 7 * 16^1 + 6 * 16^2 + 14 * 16^3 + 11 * 16^4 + 10 * 16^5 + 0 * 16^6 + 6 * 16^7) = 1621878394$$

Data Structure (Wiegand Format-26 Bit)

0	1	2	3	4	5	6	7	8	9	10	11	12	13	14	15	16	17	18	19	20	21	22	23	24	25	
P	S	S	S	S	S	S	S	S	C	C	C	C	C	C	C	C	C	C	C	C	C	C	C	C	C	P
P	E	E	E	E	E	E	E	E	E	E	E	E														
													O	O	O	O	O	O	O	O	O	O	O	O	O	P
SUMMED FOR EVEN PARITY (E)												SUMMED FOR ODD PARITY (O)														

Note :

P : Parity (Even or Odd) Start Bit and Stop Bit

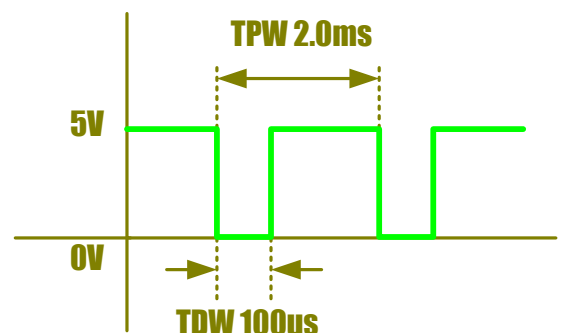
S : Site Bits from Card or Reader

C : Card Data

Wiegand Data Timing Specification

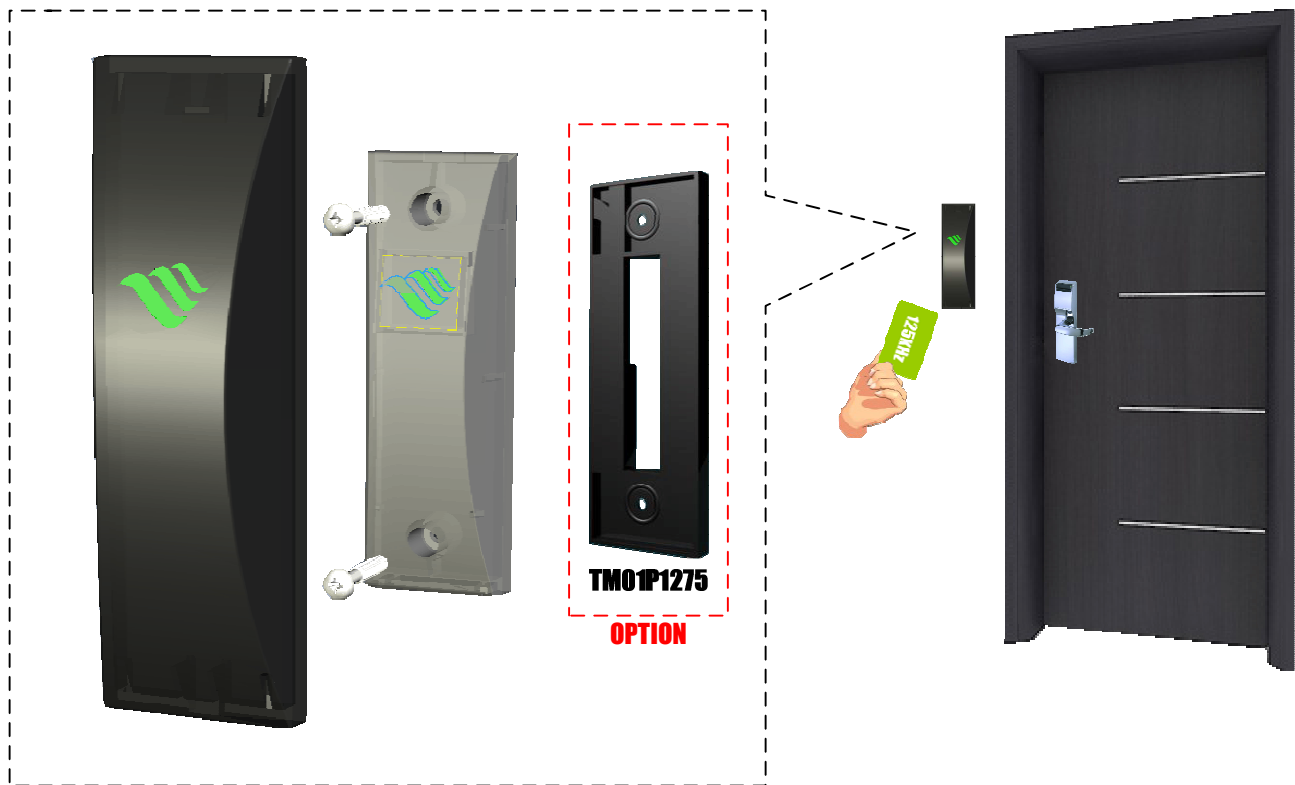
Pulse Interval (TPW)=2.0mS +/- 5%

Pulse Width (TDW)=100uS +/- 5%



Installation

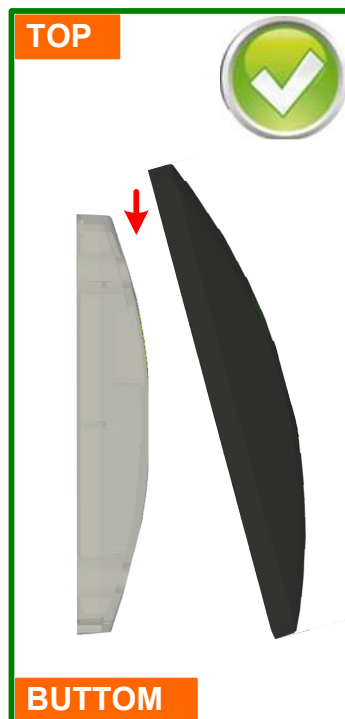
For the installation, the inner reader requires two screws to be fixed on the proper location next to the entrance. The outer black housing will apply on top of the reader.



Please pay special attention to the below instruction which demonstrates the proper direction that outer housing needs to be applied to inner reader.



Above picture shows the inside of the outer housing.



Above picture shows the correct direction (TOP) that outer housing needs to be applied.





CAUTION:

The crossed out wheeled bin label that can be found on your product indicates that this product should not be disposed of via the normal household waste stream.

To prevent possible harm to the environment or human health please separate this product from other waste streams to ensure that it can be recycled in an environmentally sound manner.

For more details on available collection facilities please contact your local government office or the retailer where you purchased this product.

This information only applies to customers in the European Union.

For other countries, please contact your local government to investigate the possibility of recycling your product.